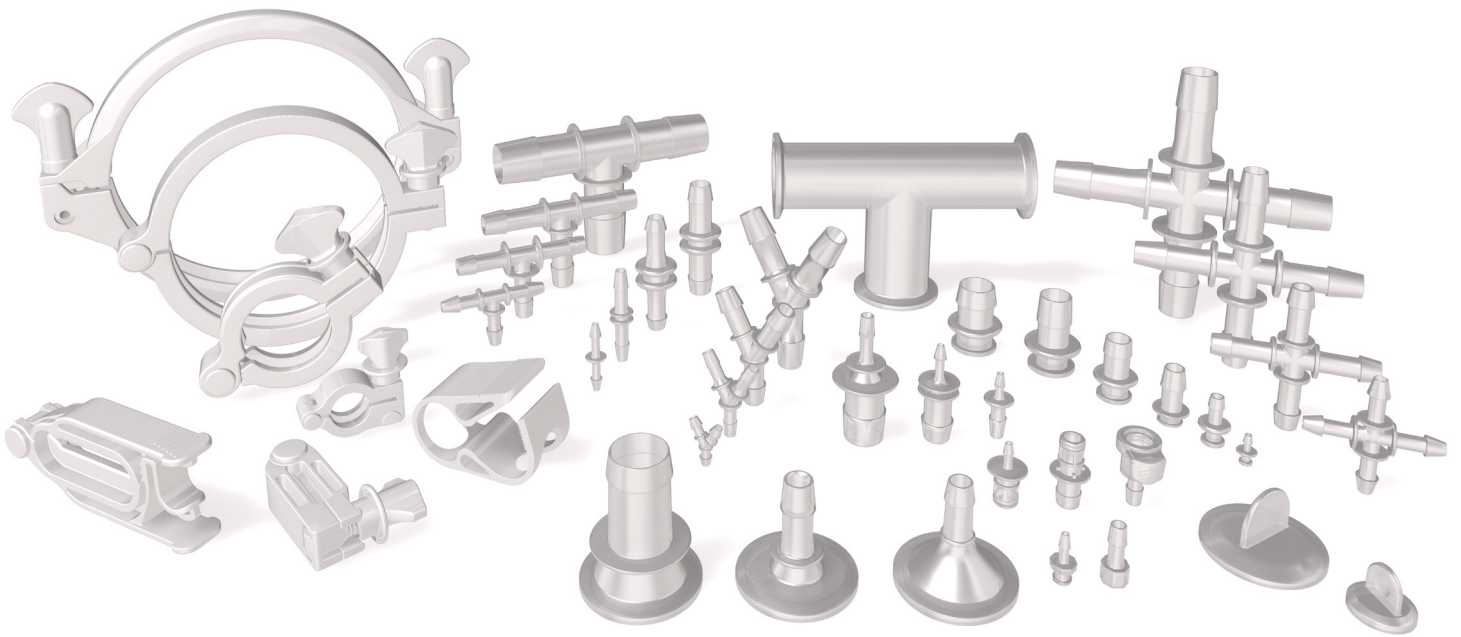


Biopharmaceutical (Single-Use)

Product Catalog



A.C. | Advanced
Couplings
Limited

Contents

Single-Use System	1
Manufacturing Process	1
Sterilization	1
QuickSecure	2
Our Options	2
Pinch Clamp	3
Our Options	3
Nylon Pinch Clamp	3
Nylon Threaded Pinch Clamp	3
Luer Lock	6
Our Options	6
Single-Use Connectors	7
Polypropylene Cross-Connector	7
Polypropylene T-Connector	7
Polypropylene Straight Connector	8
Polypropylene End Plug	8
Tri-Clamp Sanitary Connector	8
Polypropylene End Cap	8
Polypropylene Y-Connector	9
Polypropylene Reducer	9
Quick Connector	10
Our Options	10
About Advanced Couplings, Ltd.	11
Leading Provider of Advanced Solutions	11
Commitment to Quality and Innovation	11
Expanding US Presence	11
Our Locations	11

Single-Use System

Ready-to-Use Solutions for Critical Biopharmaceutical Applications

Advanced Couplings, Ltd. (ACL) delivers a wide range of solutions, and in this catalogue, we showcase our single-use assemblies built specifically for the biopharmaceutical industry. Engineered for critical applications in the production of therapeutic proteins, monoclonal antibodies, and vaccines, these gamma-irradiated products combine safety, reliability, and ease of integration. Manufactured and packaged in ISO Class 7 certified cleanrooms, they ensure the highest standards of quality while supporting efficient, contamination-free operations.

Manufacturing Process

Each single-use assembly is prepared in strictly controlled cleanroom environments meeting ISO Class 7 standards. Every unit undergoes a thorough quality inspection to ensure defect-free condition before being carefully labeled and packaged. Products are enclosed in primary and secondary protective polybags, marked with identification and gamma irradiation indicators, and then secured in double-bagged cartons for safe transport. This meticulous approach guarantees sterility, traceability, and reliable performance for demanding biopharmaceutical applications.

Sterilization

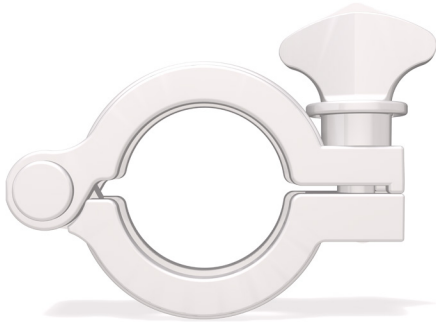
Our single-use assemblies undergo gamma sterilization to achieve the highest sterility assurance level, with the procedure validated in line with international standards (ISO 11137-2). After careful packaging, the assemblies are processed at certified gamma irradiation facilities. Upon return, every package is thoroughly checked for integrity and proper irradiation indicators, ensuring the batch meets strict quality requirements before release. This process guarantees safe, sterile, and ready-to-use products for critical biopharmaceutical applications.



For further requests/bespoke requirements please contact sales@Advanced-couplings.com.

QuickSecure

Reliable Solution for Bioprocessing Applications



The ACL QuickSecure Tri-Clamp is purpose-engineered for single-use and biopharmaceutical environments. Manufactured from glass-reinforced Nylon 66 that complies with FDA 21 CFR 177.1500 and USP Class VI requirements, QuickSecure delivers dependable performance in critical fluid-handling connections. Designed specially for disposable transfer lines, it integrates seamlessly into a broad spectrum of bioprocessing systems, offering a secure, hygienic connection where consistency and reliability matter most.

Certifications

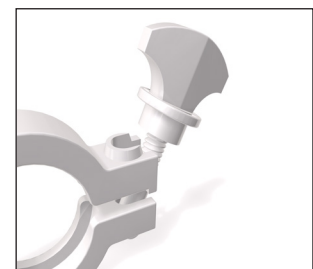
- FDA 21 CFR 177.1500
- USP Class VI
- USP Class 87

Purpose Driven Design

- Biopharmaceutical Grade
- Self-adjusting floating hinge with anti-slip fastening design
- Designed to meet ASME-BPE and BPSA requirements for both non-metallic and stainless-steel ferrules
- Superior acid and alkali resistance
- Reliable locking mechanism
- Lightweight
- Autoclave & gamma sterilization ready

Where it's Used

- Single-Use systems (SUS)
- Pharmaceutical Manufacturing
- Vaccine & biotherapeutic manufacturing
- Metal-free process applications



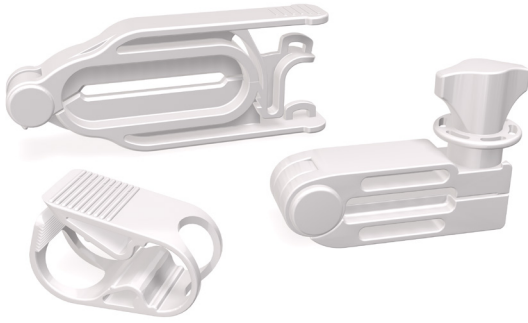
Locking Features

Our Options

Global Part Number	Size (Imperial)	Size (Metric)	Size (ISO)
PSWN00025NY-A	1/2"-3/4"	DN 6-8	DN 8-10
PSWN00050NY-A	1"-1 1/2"	DN 25-40	DN 15-20-25
PSWN00119NY-A	4"	DN 100	-
PSWN00167NY-A	6"	-	-
PSWN00217NY-A	8"	-	-

Pinch Clamp

Reliable Control for Sterile Tubing



The ACL Biopharma Pinch Clamp is a practical mechanical solution for controlling flow in flexible tubing used in biopharmaceutical processes. By externally pinching the tube, the clamp enables quick and reliable flow control without any contact with the process media.

Designed for use in single-use and biopharma applications, the pinch clamp offers consistent clamping force and easy manual operation. Its lightweight, non-metallic construction supports metal-free process setups and allows for repeated opening and closing during operation.

Purpose Driven Design

- Mechanical pinch clamp for biopharma tubing applications
- Restricts flow by externally compressing the tube
- No contact with process media
- Simple, manual operation
- Lightweight design
- Suitable for repeated use during processing

Where it's Used

- Bio pharmaceutical manufacturing
- Single-use systems (SUS)
- Sampling, filling, and transfer lines
- Media and buffer handling
- Metal-free process applications

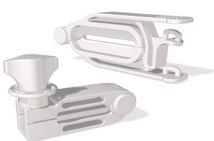
Our Options

Nylon Pinch Clamp



Part Number	Size	Tube OD (inch)
PCRS00012PP-A	Small	1/8" - 1/4"
PCRS00018PP-A	Medium	1/4" - 3/8"
PCRS00025PP-A	Large	1/2" - 3/4"

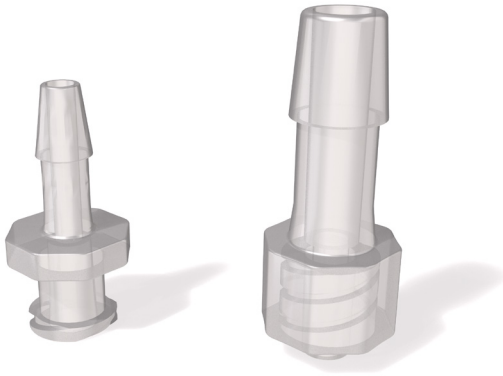
Nylon Threaded Pinch Clamp



Part Number	Size	Tube OD (inch)
TPWN00025PP-A	Small	1/2" - 3/4"
TPWN00050PP-A	Large	1" - 1/2"

Luer Lock

Twist-Lock Design for Tight, Safe Seals



The ACL Biopharma Luer Lock Connector provides a secure and reliable connection for low-volume fluid transfer in single-use bioprocess and laboratory applications. Its standardized locking design ensures a tight, leak-resistant fit while allowing quick, tool-free connection and disconnection.

Compact and lightweight, the connector supports metal-free process setups and is compatible with common luer-based tubing and components. Ideal for sampling, dosing, and fluid handling where precision and control are required.

Purpose Driven Design

- Purpose Driven Design
- Secure luer lock connector for biopharma fluid handling applications
- Provides a tight, leak-resistant threaded connection
- Enables controlled connection and disconnection of fluid lines
- Simple, tool-free manual operation
- Compact and lightweight design
- Designed for use in single-use assemblies

Where it's Used

- Biopharmaceutical manufacturing
- Single-use systems (SUS)
- Sampling and dosing operations
- Small-volume fluid transfer
- Metal-free process applications

Our Options

Part Number	Gender	Hose Barb Size (inches)
SALLMC317PP-A	Male	1/8"
SALLFC317PP-A	Female	1/8"
SALLMC635PP-A	Male	1/4"
SALLFC635PP-A	Female	1/4"

Single-Use Connectors

Cleanroom-Molded Polypropylene Connectors

Engineered for precision and reliability, these connectors enable secure, contamination-conscious connections in single-use fluid systems. Ideal for biotech and pharmaceutical applications, they combine high-quality polypropylenes construction with cleanroom manufacturing standards to deliver consistent performance and peace of mind in critical processes.

Certifications

- FDA Food-Grade Compliant (21 CFR 177.1520)
- USP 88 in Vivo Biocompatibility Tested
- USP 87 in Vivo Biocompatibility Tested

Purpose Driver Design

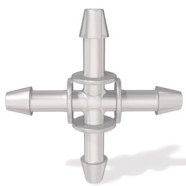
- REACH legislation
- Rohs
- TSE/BSE
- Melamine
- Phtalates
- Bisphenol A

Where it's Used

- Single-Use Assemblies
- Built for Bioprocessing
- Optimized for Secure Tubing

Our Options

Polypropylene Cross Connector



Part Number	Tube Size (inch)	Tube Size (mm)
SFXEHB635PP-A	1/4"	6.4
SFXEHB952PP-A	3/8"	9.5
SFXEHB127PP-A	1/2"	12.7
SFXEHB195PP-A	3/4"	19.1

Polypropylene T-Connector



Part Number	Tube Size (inch)	Tube Size (mm)
SFTEHB635PP-A	1/4"	6.4
SFTEHB952PP-A	3/8"	9.5
SFTEHB127PP-A	1/2"	12.7
SFTEHB195PP-A	3/4"	19.1
SFTIHB025PP-A	1"	25.4

Polypropylene Straight Connector



Part Number	Tube Size (inch)	Tube Size (mm)
SFSCHB635635PP-A	1/4" x 1/4"	6.4 x 6.4
SFSCHB952952PP-A	3/8" x 3/8"	9.5 x 9.5
SFSCHB127127PP-A	1/2" x 1/2"	12.7 x 12.7
SFSCHB195195PP-A	3/4" x 3/4"	19.1 x 19.1
SFSCHB317317PP-A	1/8" x 1/8"	3.2 x 3.2

Polypropylene End Plug



Part Number	Tube Size (inch)	Tube Size (mm)
SAEPHB317PP-A	1/8"	3.2
SAEPHB635PP-A	1/4"	6.4
SAEPHB952PP-A	3/8"	9.5
SAEPHB127PP-A	1/2"	12.7
SAEPHB158PP-A	5/8"	15.9
SAEPHB195PP-A	3/4"	19.1

Tri-Clamp Sanitary Connector



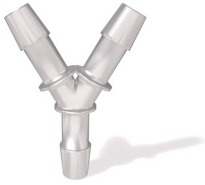
Part Number	Tri-Clamp Size	Tube Size (inch)	Tube Size (mm)
SATCA1195317PP-A	3/4"	1/8"	3.17
SATCA1195635PP-A	3/4"	1/4"	6.35
SATCA1195952PP-A	3/4"	3/8"	9.52
SATCA1195195PP-A	3/4"	3/4"	19.05
SATCA1038127PP-A	3/4"	1/2"	12.7
SATCA1038127PP-A	1 1/2"	1/2"	12.7
SATCA1038195PP-A	1 1/2"	3/4"	19.05
SATCA1038635PP-A	1 1/2"	1/4"	6.35
SATCA1038952PP-A	1 1/2"	3/8"	9.52
SATCA1038025PP-A	1 1/2"	1"	25.4
SATCA1025127PP-A	1"	1/2"	12.7
SATCA1063127PP-A	2 1/2"	1/2"	12.7
SATCA1063195PP-A	2 1/2"	3/4"	19.05

Polypropylene End Cap



Part Number	Tube Size (inch)	Tube Size (mm)
BKBSA1025SDPP-A	3/4"	25.00
BKBSA1050SDPP-A	1-1/2"	50.50

Polypropylene Y-Connector



Part Number	Tube Size (inch)	Tube Size (mm)
SFTIHB025PP-A	1"	25.4
SFTIHB127PP-A	1/2"	12.7
SFTIHB195PP-A	3/4"	19.05
SFTIHB317PP-A	1/8"	3.17
SFTIHB157PP-A	1/16"	1.58
SFTIHB476PP-A	3/16"	4.76
SFTIHB635PP-A	1/4"	6.35
SFTIHB952PP-A	3/8"	9.52
SFTIHB396PP-A	5/32"	3.96
SFTIHB079PP-A	1/32"	0.79
SFTIHB158PP-A	5/8"	15.87
SFTIHB793PP-A	5/16"	7.93

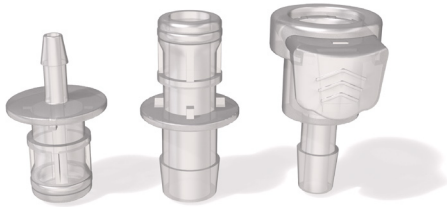
Polypropylene Reducer



Part Number	Tube Size (inch)	Tube Size (mm)
SFRCHB317127PP-A	1/8" x 1/2"	3.2 x 12.7
SFRCHB317635PP-A	1/8" x 1/4"	3.2 x 6.4
SFRCHB635952PP-A	1/4" x 3/8"	6.4 x 9.6
SFRCHB635127PP-A	1/4" x 1/2"	6.4 x 12.7
SFRCHB952127PP-A	3/8" x 1/2"	9.5 x 12.7
SFRCHB952195PP-A	3/8" x 3/4"	9.5 x 19.1
SFRCHB127195PP-A	1/2" x 3/4"	12.7 x 19.1
SFRCHB195635PP-A	3/4" x 1/4"	19.1 x 6.4
SFRCHB127025PP-A	1/2" x 1"	12.7 x 25.4

Quick Connector

Precision solution for bioprocess success



Our Quick Connectors provide secure, reliable connections for critical fluid systems in pharmaceutical and biopharmaceutical manufacturing. Designed for consistent performance and easy integration, they help maintain product integrity while supporting efficient bioprocessing operations.

Certifications

- USP 87
- USP 88
- US FDA 21 CFR 211.72 Compliant
- Gamma Sterilized (50 KGy)

Purpose Driven Design

- Engineered to reduce cross-contamination, protecting the integrity and purity of your products.

Where it's Used

- Fluid transfer
- Bioreactor tubing
- Conveyance and retrieval lines
- Laboratory tubing interfaces
- Sequential Linkage

Our Options

Part Number	Connection	Size
SAQCMC317PP-A	Male	1/8"
SAQCFC317PP-A	Female	1/8"
SAQCMC635PP-A	Male	1/4"
SAQCFC635PP-A	Female	1/4"
SAQCMC952PP-A	Male	3/8"
SAQCFC952PP-A	Female	3/8"
SAQCMC127PP-A	Male	1/2"
SAQCFC127PP-A	Female	1/2"
SAQCPMPP-A	Male	Plug
SAQCPFPP-A	Female	Plug

About Advanced Couplings, Ltd.

Leading Provider of Advanced Solutions

Advanced Couplings, Ltd. offers high-quality products for the pharmaceutical and hygienic markets. With more than 38 years of European manufacturing excellence, we provide tri-clamps, safety clamps, sight glasses, bubble traps, and ferrules, trusted by the top global pharmaceutical companies.

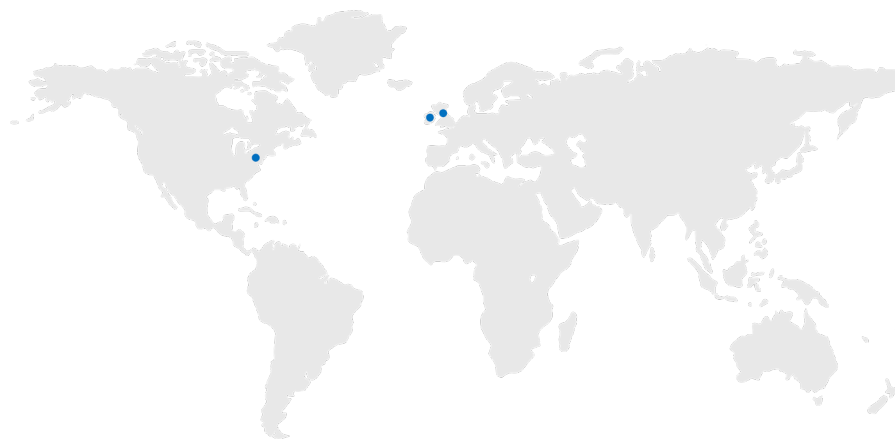
Commitment to Quality and Innovation

We are dedicated to delivering exceptional products, all backed by in-house testing and independent certifications. Our expanding product portfolio caters to the evolving needs of our global customer base, ensuring reliable solutions for critical health and safety applications.

Expanding US Presence

Supported by the Ideal Tridon Group, we are expanding throughout the United States, offering reputable customer service and a wide-ranging inventory located at our facility Campbell Fittings, Inc. in Boyertown, Pennsylvania.

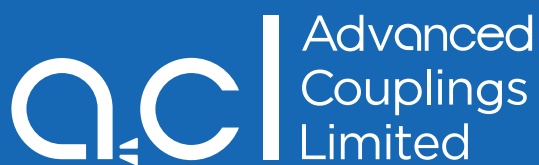
Our Locations



UK Head Office
Unit 3A Riverside Business Park
Royd Ings Avenue
Keighley, West Yorkshire BD214AF
GB

Ireland Office
Henry Street
Roscommon
Republic of Ireland F42 X097

United States Office
301 South Washington Street
Boyertown, PA 19512
USA



UK Head Office

Unit 3A
Riverside Business Park
Royd Ings Avenue
Keighley
West Yorkshire
BD21 4AF

Tel: +44 (0) 1535 669 216
Fax: +44 (0) 1535 610 243
Email: sales@advanced-couplings.com
Web: www.advanced-couplings.com

Ireland Office

Henry Street
Roscommon
Co. Roscommon
Ireland
F42X O97

Tel: +353 906 626 556
Email: eddie@advanced-couplings.ie
Web: www.advanced-couplings.com

U.S. Office

301 S. Washington Street
Boyertown, PA 19512
USA

Tel: 1-800-367-3678
Email: ac1hygienic@idealtridon.com
Web: www.advanced-couplings.com